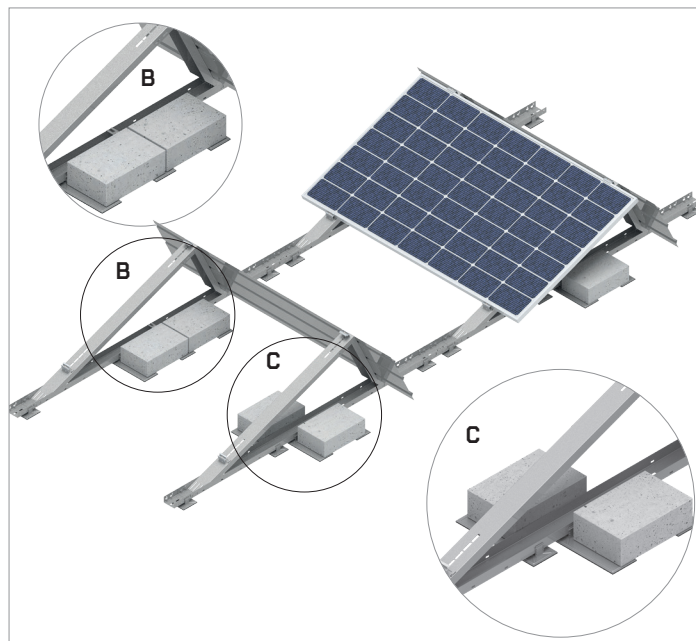
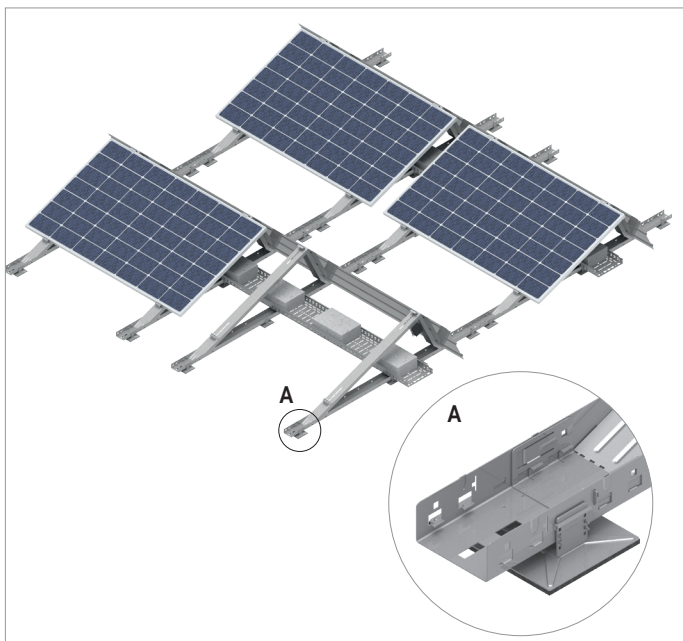


CLICK adjustable base SKR95MC

CLICK adjustable ballast base SKRB95MCC



Application of SKR95MC

Installation in the bottom profile of the structure to separate and elevate metal elements from the roof surface.

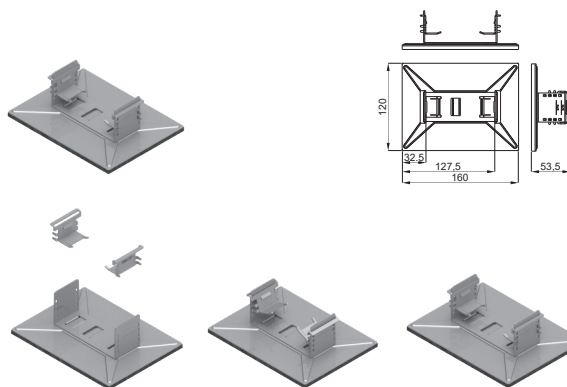
Advantages

- Quick, stable, tool-free installation without the use of screws
- Adjustable height of the bottom profile in three positions: 19, 26, 33 mm
- Base with bonded vibration-damping rubber prevents damage to the roof covering
- Deep embossing of the bottom surface ensures high base rigidity
- Made of steel with Magnelis®, MagiZinc®, PosMAC® coating with very high corrosion resistance

Technical description

- Materials: Structural steel with Magnelis®, MagiZinc®, PosMAC® coating with bonded vibration-damping rubber.

SKR95MC



Application of SKRB95MC

Installation in the bottom profile of the structure to separate and elevate metal elements from the roof surface and to secure the structure by placing ballast.

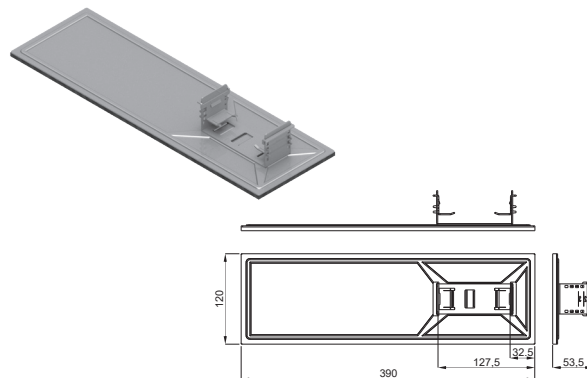
Advantages

- Quick, stable, tool-free installation without the use of screws
- Adjustable height of the bottom profile in three positions: 19, 26, 33 mm
- Base with bonded vibration-damping rubber prevents damage to the roof covering
- Deep embossing of the bottom surface ensures high base rigidity
- Made of steel with Magnelis®, MagiZinc®, PosMAC® coating with very high corrosion resistance
- Possibility of single-sided (B) or alternating installation (C)]

Technical description

- Materials: Structural steel with Magnelis®, MagiZinc®, PosMAC® coating with bonded vibration-damping rubber.

SKRB95MC



height-adjustable	SKR95	856028
CLICK ballast foot with height adjustment	SKRB95	858456