

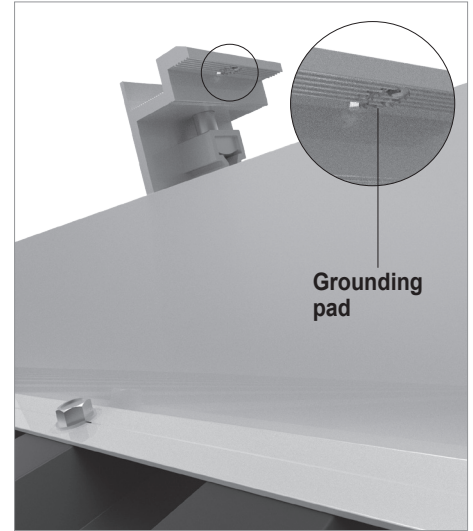
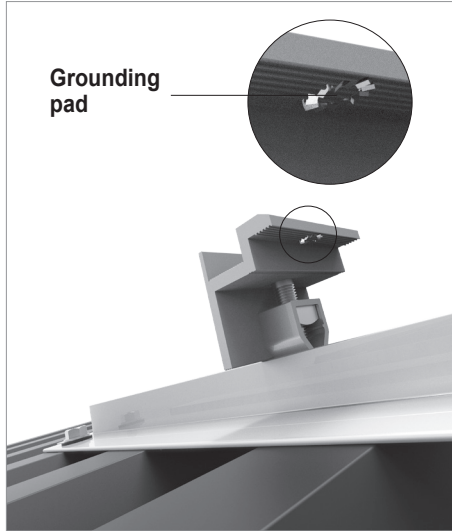
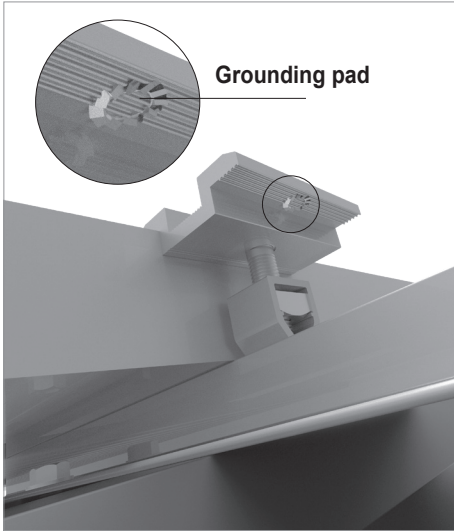


**PUFPK..., PUFPEK...**

- Click middle panel holder with grounding pad  
**BUFPK..., BUFPEK...**

- Click side panel holder with grounding pad

**New: 3.0 and 4.0 mm thick and 50, 75, and 100 mm long**



**Application**

Mounting PV panels to PAL... aluminum profiles, SM... aluminum mounting rails, and UPDMC and UPG...MC brackets

**Advantages of PUFPK, BUFPK...**

- A pressed-in stainless steel serrated washer ensures electrical continuity between the holder and the PV panel
- The modified shape of the CLICK latch ensures quick and stable holder installation
- Possibility of mounting in SM... rails, PAL... profiles and UPDMC and UPG...MC holders

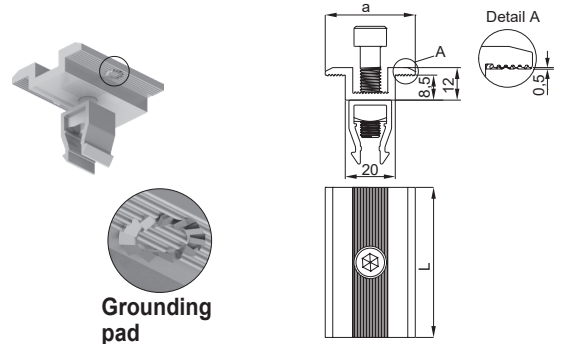
**Advantages of PUFPEK..., BUFPEK...**

- A pressed-in stainless steel serrated washer ensures electrical continuity between the holder and the PV panel
- The modified shape of the CLICK latch ensures quick and stable holder installation
- Can be mounted in SM... rails, PAL... profiles, and UPDMC and UPG...MC holders
- Increased holder thickness of 4 mm
- Holders available in 3 lengths: 50, 75, and 100 mm

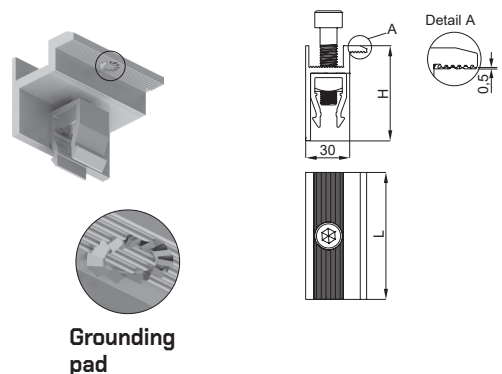
**Technical Description**

- Materials: Aluminum (EN AW-6063) + M4 stainless steel
- Set includes clamp, SAM8... Allen screw, NKWM8E square nut, and CLICK clip
- Available on request:  
L - painted black RAL9005

**PUFPK (thickness 3,0 mm), PUFPEK... (thickness 4,0 mm)**



**BUFPK (thickness 3,0 mm), BUFPEK... (thickness 4,0 mm)**



## Side and middle CLICK module clamp with grounding pad

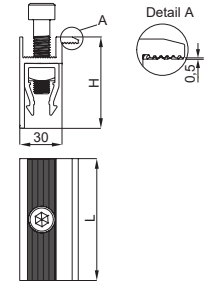
### Side and middle CLICK module clamp with grounding pad

symbol	material thickness [mm]	Catalogue number
BUFPK30	3	898230
BUFPK35	3	898235
BUFEPK30	4	870530
BUFEPK35	4	870535

**BUFPK** (thickness ≠ 3,0 mm)  
**BUFEPK...** (thickness ≠ 4,0 mm)



Grounding Pad



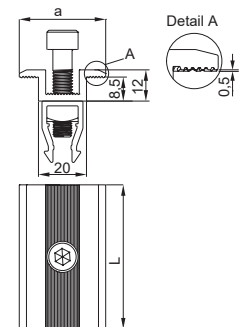
### Intermediate CLICK module clamp with grounding pad

symbol	material thickness [mm]	Catalogue number
PUFPK	3	898500
PUFPEK	4	898501

**PUFPK** (thickness ≠ 3,0 mm)  
**PUFPEK...** (thickness ≠ 4,0 mm)



Grounding Pad

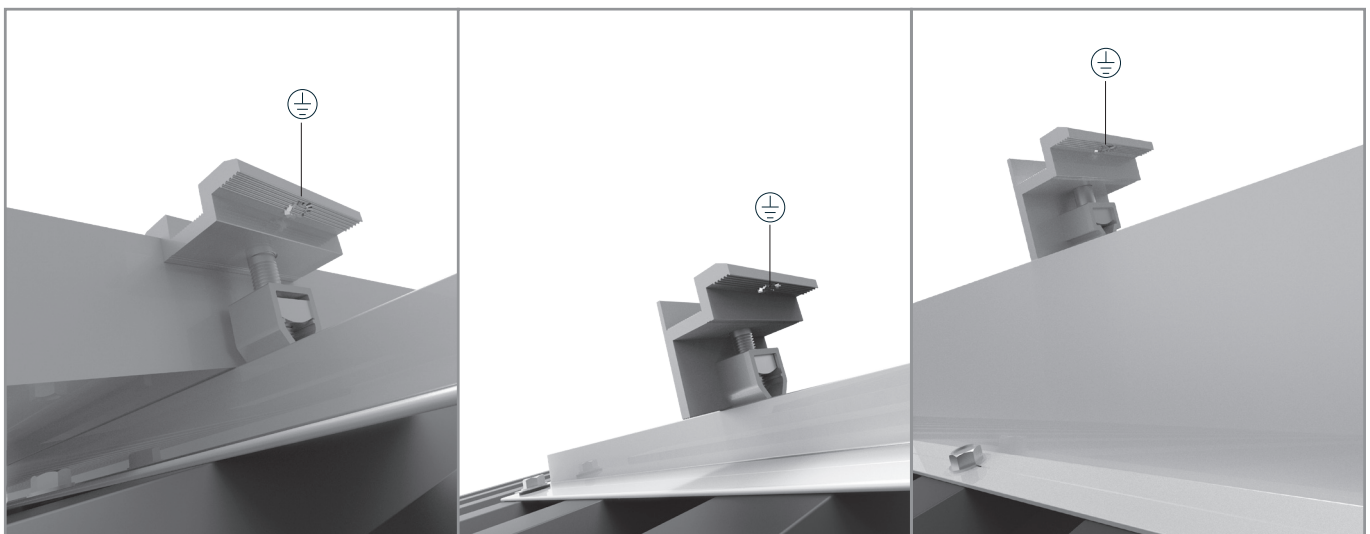


#### Application

Mounting PV panels to PAL... aluminum profiles, SM... aluminum mounting rails, UPDMC, UPG...MC brackets, and bolted structures for flat roofs.

#### Advantages

- A pressed-in stainless steel serrated washer ensures electrical continuity between the holder and the PV panel
- The modified CLICK clip shape ensures quick and stable holder installation
- Can be mounted in SM... rails, PAL... profiles, UPDMC and UPG... MC holders, and PGTSMC and PGTSWZMC profiles
- Holders available in two material thicknesses: 3 and 4 mm
- Holders available in three lengths - L = 50 mm, 75 mm, 100 mm



# Side and middle panel mount with grounding pad

## Side panel mount with grounding pad

symbol	material thickness [mm]	Catalogue number
BUFP30	3	898430
BUFP35	3	898435
BUFEP30	4	871530
BUFEP35	4	871535

## middle panel mount with grounding pad

symbol	material thickness [mm]	Catalogue number
PUFP	3	898502
PUFEP	4	898503

### Application

Mounting PV panels to PAL... aluminum profiles, SM... aluminum mounting rails, UPDMC, UPG...MC brackets, screw-on structures for flat roofs, and to profiles in free-standing structures

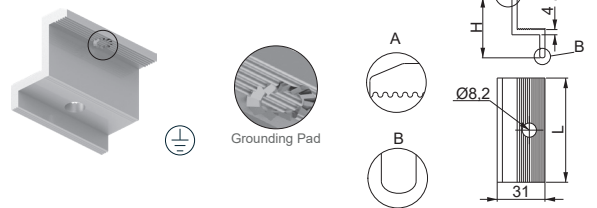
### Advantages

- A pressed-in stainless steel serrated washer ensures electrical continuity between the holder and the PV panel.
- Longitudinal grooves at the panel pressure point and the clamp-to-profile contact point increase mounting stability.
- Special cross-section increases the element's strength.
- Notches improve adhesion.
- Available with a black RAL9005 paint finish. The paint finish improves the aesthetics of the structure when using panels with black frames.
- Brackets available in two material thicknesses: 3 and 4 mm.
- Brackets available in three lengths: L = 50 mm, 75 mm, and 100 mm.

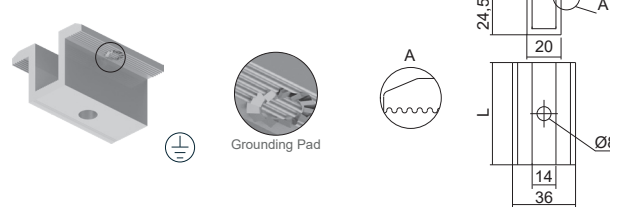
BUFP (thickness 3,0 mm)



BUFEP (thickness 4,0 mm)



PUFP (thickness 3,0 mm)



PUFEP (grubość 4,0 mm)

